

## MODEL E30-610 X

Stainless steel design 30 cm Electric Fryer

### Features

Stainless steel hob

Front controls

Electric Fryer

Thermostat control

**Oil tray**

**Extractable basket**

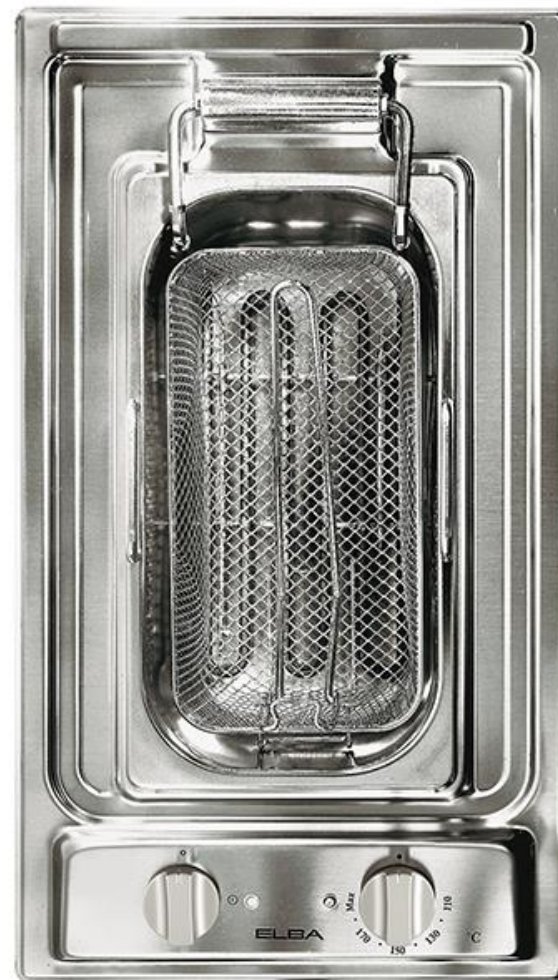
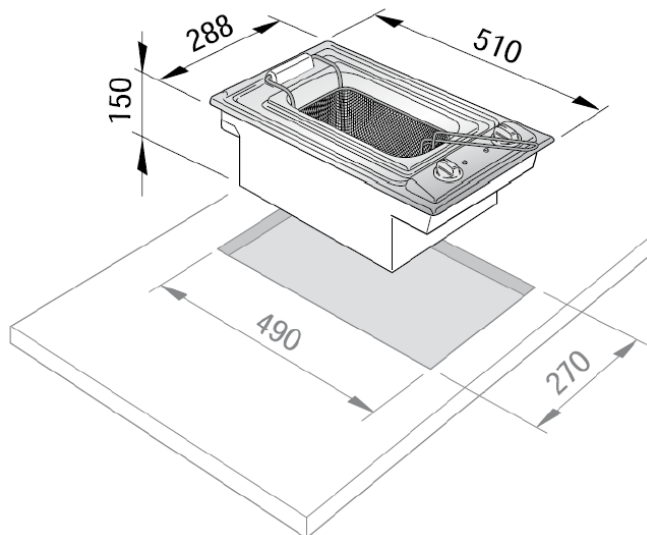
**Tilted electric element**

Removable safety lid

Indicator light

Safety thermostat

Long standing laser serigraphy



Size: W 288 x D 510 mm