

# WHC923E16X

**gorenje**  
Life Simplified

## Freestanding wall chimney cooker hood




 Polyurethane filter

 TouchFree coating

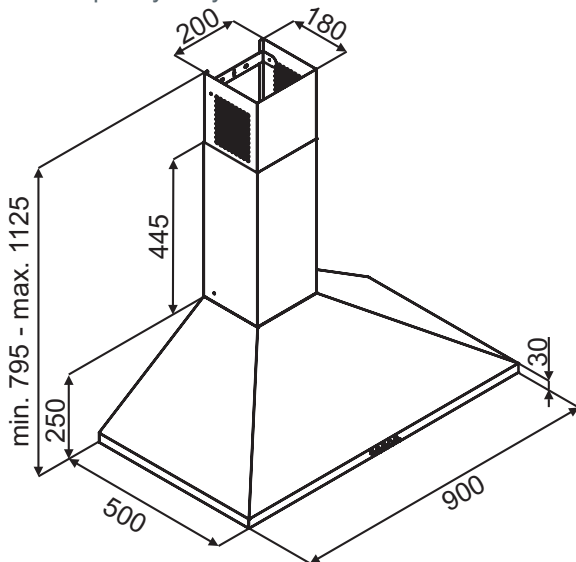
 LedLight

Re-circulating hoods

 Noise level

Useful tips

What capacity do you need?



<https://eg.gorenje.com/en/product/514496>

Wall mounted cooker hood

Venting with air extraction or recirculation

Energy class: **B**

Material of housing/chimney: **stainless steel / stainless steel**

Colour of housing/chimney: **stainless steel / stainless steel**

Lightning efficiency class: **A**

Grease filtering efficiency class: **A**

Fluid dynamic efficiency class: **B**

Maximum extraction rate by extraction operation: **520 m<sup>3</sup>/h**

Maximum extraction rate by recirculation operation: **390 m<sup>3</sup>/h**

Venting tube diameter: **15 cm**

Air flow by extraction version, step 1: **238 m<sup>3</sup>/h**

Air flow by extraction version, step 2: **380 m<sup>3</sup>/h**

Air flow by extraction version, step 3: **520 m<sup>3</sup>/h**

Mechanic control

Control setting: **Button control**

Number of speed positions: **3**

TouchFree Inox

Lamp type: **LED**

On/off light switch

Number of lights: **2**

Power of lights: **6 W**

Filter material: **Washable aluminium with polyurethane foam**

Coal filter code (optional as separate purchase): **315275**

Motor type: **Capacitor motor**

Number of motors: **1**

No return airflow flap: **150 mm**

Max. noise level: **63 dB(A)re 1 pW**

Height: **250 mm**

Min. height of the chimney: **545 mm**

Max. height of the chimney: **875 mm**

Annual energy consumption: **60.4 kWh**

Dimensions (W×H×D): **90 × 25 × 50 cm**

Dimensions of packed product (W×H×D): **101.5 × 43.5 × 56 cm**

Net weight: **11.5 kg**

Gross weight: **16.4 kg**

Connected load: **141 W**

Nominal current of fuse: **10 amp**

Product code: **514496**

EAN code: **3838942072369**