

BOG633E00XGK

gorenje
Life Simplified

Built-in single oven



 SuperSize

Essential Line

Energy class: **A**

Colour: **Black**

Handle colour: **Colour of aluminium**

Control panel material: **Glass**

Gas oven SuperSize baking area

Mechanic temperature control

Electronic programming timer

Heating types:



Illumination

1 Deep tray

1 shallow aluminium baking pan

1 Premium grill rack

Drawn guides

Motorized turn spit

Thermoelectric fuse

Dynamic oven cooling - DC

EcoClean enamel

Grill power: **1,200 W**

Dimensions (W×H×D): **59.4 × 59.4 × 55.6 cm**

Dimensions of packed product (W×H×D): **65 × 65 × 65 cm**

Niche dimensions (W×H×D): **56 × 59.5 × 56 cm**

Net weight: **33 kg**

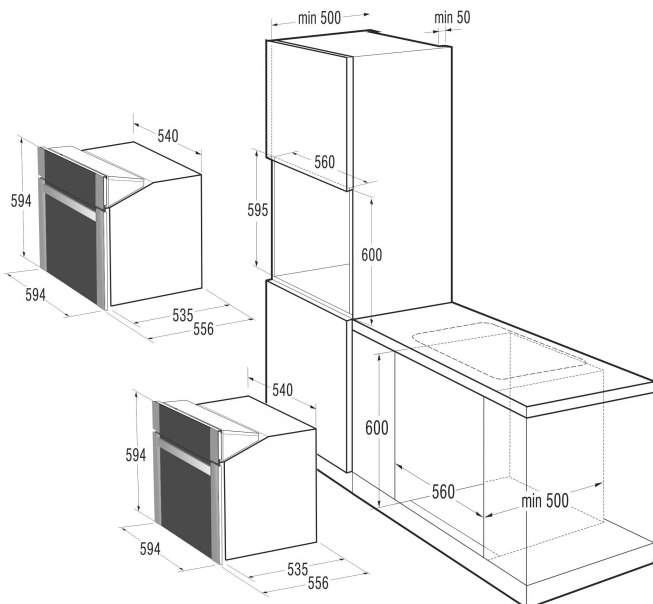
Gross weight: **35 kg**

Consumption in standby mode: **0.5 W**

Connected load: **1,225 W**

Product code: **472627**

EAN code: **3838942007453**



<https://eg.gorenje.com/en/product/472627>