

BOG932E10FX

gorenje
Life Simplified

Built-in single oven



SuperSize

Essential Line

Energy class: **A**

Colour: **Stainless Steel**

Handle colour: **Colour of brushed stainless steel**

Control panel material: **Stainless steel**

Gas oven SuperSize baking area

Mechanic temperature control

Electronic programming timer

Illumination

1 Shallow tray

Wire guides

Motorized turn spit

Thermoelectric fuse

Dynamic oven cooling - DC

EcoClean enamel

Grill power: **2,800 W**

Dimensions (W×H×D): **89.5 × 59.4 × 55.1 cm**

Dimensions of packed product (W×H×D): **98 × 65 × 65 cm**

Niche dimensions (W×H×D): **86 × 59.5 × 56 cm**

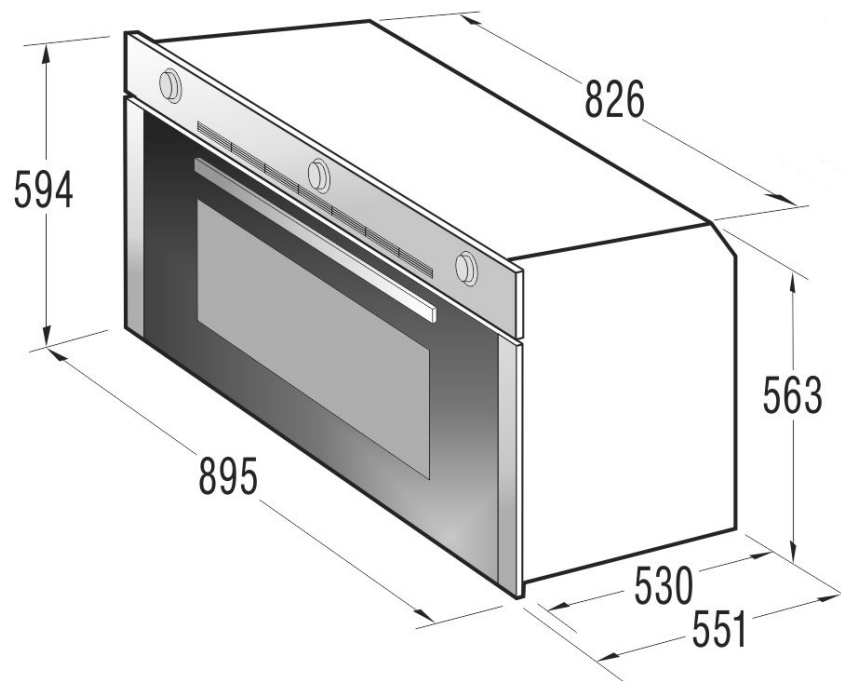
Net weight: **58 kg**

Gross weight: **61.2 kg**

Consumption in standby mode: **0.5 W**

Product code: **731226**

EAN code: **3838782134616**



<https://eg.gorenje.com/en/product/731226>